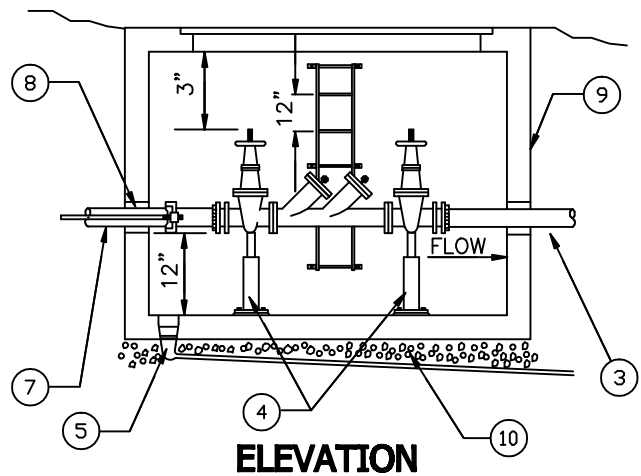


PLAN



ELEVATION

MATERIAL LIST:

- ① WASHINGTON STATE APPROVED DOUBLE CHECK DETECTOR VALVE ASSEMBLY WHICH MUST BE INSTALLED IN THE SAME ORIENTATION FOR WHICH IT WAS APPROVED. ASSEMBLY TO INCLUDE: TEST COCKS, 3/4" BRASS OR COPPER BYPASS WITH IN-LINE VALVES AND A 5/8" REMOTE METER. METER TO READ IN CUBIC FEET, AND BE REMOTED TO AN EXTERNAL WALL OF BUILDING METER BOX.
- ② UNI-FLANGE WITH SET SCREWS OR MJ x FL ADAPTER WITH MEGALUG OR GALVANIZED SHACKLE TO MAIN WITH TWO 3/4" RODS, OR MJ RETAINER GLANDS FOR BOTH UPSTREAM AND DOWNSTREAM OF ASSEMBLY.
- ③ DUCTILE IRON PIPE (SIZED AS REQUIRED) CLASS 52.
- ④ TWO GALVANIZED ADJUSTABLE PIPE SUPPORTS FOR 2-1/2" DIAMETER AND LARGER PIPE.
- ⑤ A MINIMUM 4" FLOOR DRAIN OR WALL FOOTING DRAIN MUST BE PROVIDED.
- ⑥ FLUSHING CAPABILITIES MUST BE PROVIDED WITH A 2" FLUSHING LINE DOWNSTREAM OF ASSEMBLY TO OUTSIDE OR APPROVED INTERNAL DRAIN.
- ⑦ WHERE ASSEMBLY IS TO BE LOCATED ABOVE EXTERNAL GROUND LEVEL, ALL BENDS REQUIRED TO LOWER INLET PIPE (TO PROVIDE REQUIRED EXTERNAL GROUND COVER) SHALL BE FLANGE FITTINGS OR BE WITH HORIZONTAL AND VERTICAL THRUST RESTRAINTS.
- ⑧ WATER TIGHT GROUT SHALL BE USED IN ALL VAULT PENETRATIONS.
- ⑨ PRECAST CONCRETE VAULT WITH STEEL ACCESS HATCH (AS MANUFACTURED BY UTILITY VAULT 675 LA/WA CO OR AN APPROVED EQUAL). COVER TO READ "WATER". PROVIDE OSHA APPROVED HOT DIPPED GALVANIZED STEEL LADDER. INSTALL LADDER IN SUCH A WAY AS TO PROVIDE VAULT ACCESS THAT DOES NOT INTERFERE WITH INSTALLED EQUIPMENT OR MAINTENANCE THEREOF PROVIDE A TRAFFIC LOAD RATED DOUBLE DOOR.
- ⑩ 5/8" CRUSHED ROCK BASE (6" MIN. DEPTH).

NOTES:

- 1. TEE AND GATE VALVE REQUIRED AT WATER MAIN.
- 2. ASSEMBLY REQUIRES CERTIFICATION UPON INSTALLATION, AND RECERIFICATION ANNUALLY AT OWNER'S EXPENSE.
- 3. TEST COCKS ARE REQUIRED TO BE PLUGGED.
- 4. MAXIMUM HEIGHT OF ASSEMBLY FROM FLOOR IS FIVE FEET UNLESS AN OSHA APPROVED PLATFORM IS PROVIDED.
- 5. FIRE DEPARTMENT PUMPER CONNECTION MUST BE DOWNSTREAM OF ASSEMBLY.
- 6. NEITHER OS & Y VALVE CAN BE USED AS A POST INDICATOR VALVE. (THESE ARE ONLY PART OF THE BACKFLOW ASSEMBLY)

	APPROVED BY	L. OLIVE	DEPARTMENT OF PUBLIC WORKS STANDARD DETAILS	STANDARD DETAIL NUMBER W-110
	DATE	07/31/2008		
	REF STAD SPEC		DOUBLE CHECK DETECTOR ASSEMBLY-OUTSIDE (DCDA) 2-1/2" AND LARGER SERVICES	